



# eVowalk O&M Manual



SAFETY SOLUTIONS

## eVowalk

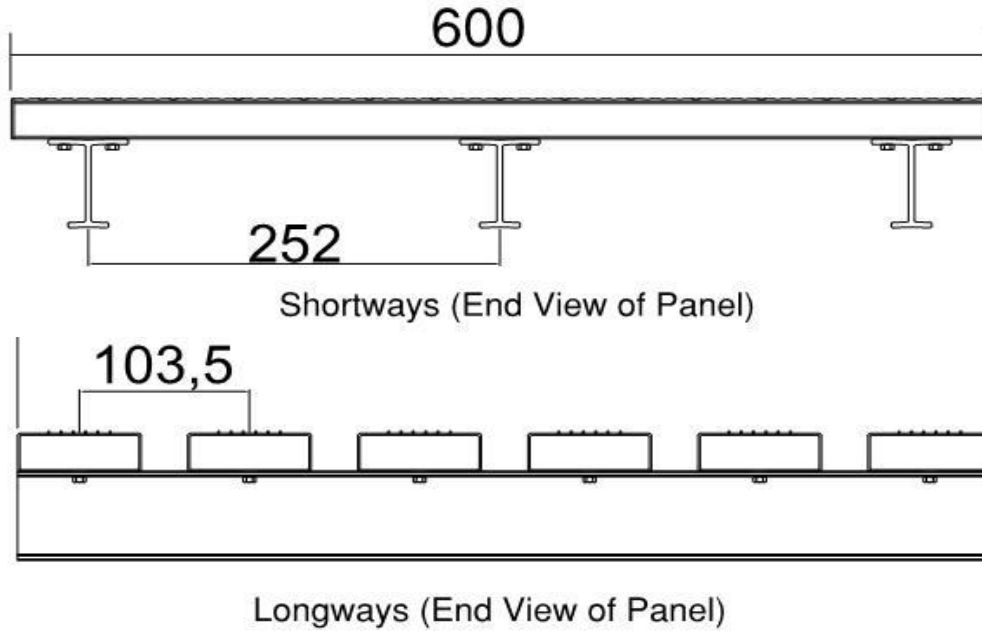
**eVO Safety Solutions provide the complete range of walkway systems for all rooftop applications. evowalk is manufactured from re-cycled uPVC and has a unique Anti-Slip surface which is applied during the extrusion process.**

**There are many features and benefits inherent with evowalk Roof Systems. They can be installed on all roof surfaces and have fixing brackets specifically designed for simplicity and ease of installation.**

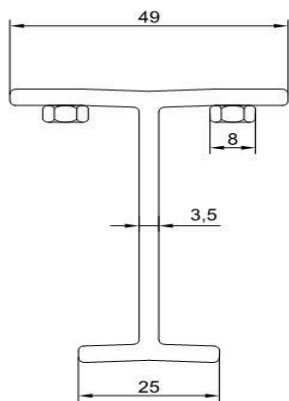
**Our in-house engineers have years of R&D experience and have gradually improved and evolved the fixing processes to significantly reduce installation times. This is particularly important for reducing labour costs on larger projects.**

## System Layout

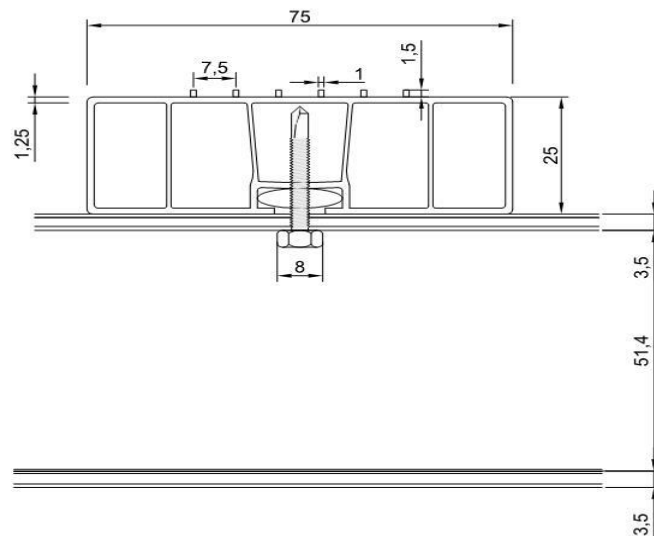
The walkway is manufactured in two orientations. **Longways** planks are used when running parallel to roof seams and **Shortways** planks for when running across roof seams.



## Planks and I Beam Detail



I Beam Section



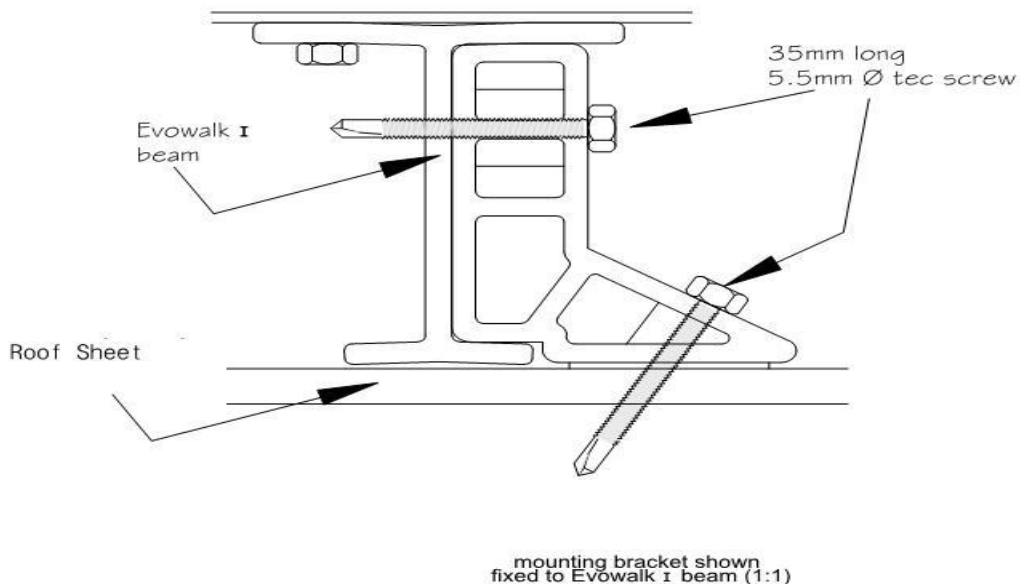
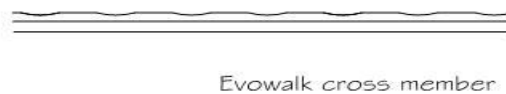
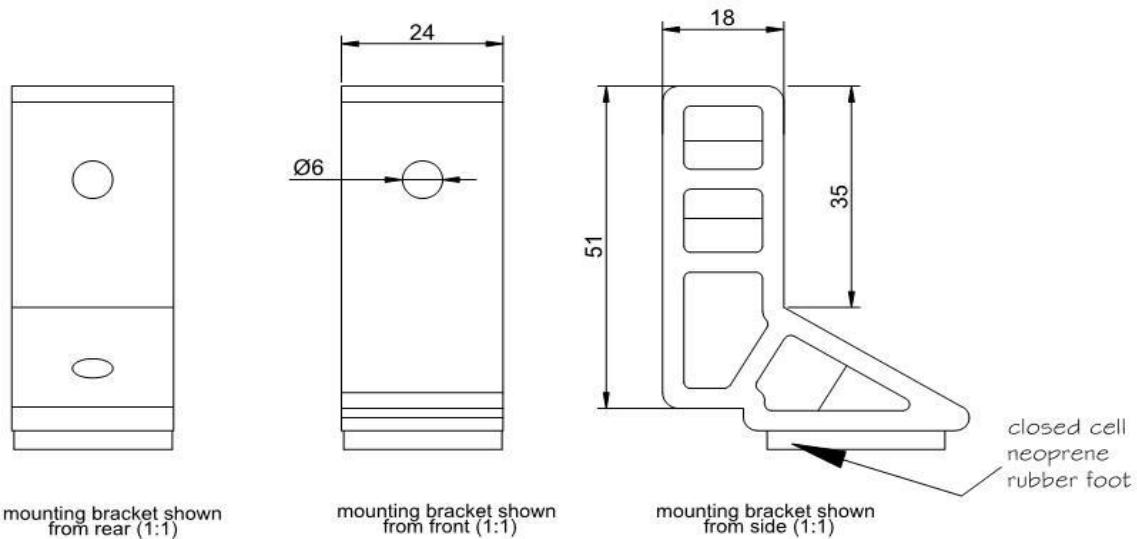
Plank Section shown fixed to I Beam

## Application Types

- Metal Clad Roofs
- Standing Seam Roofs
- Composite and Built up Secret Fix
- PVC Membrane Roofs
- Valley Walkway
- Levelled Walkway on Pitched Roofs
- Fall Protection Panels

## Metal Clad, Composite and Built up Secret Fix Roofs

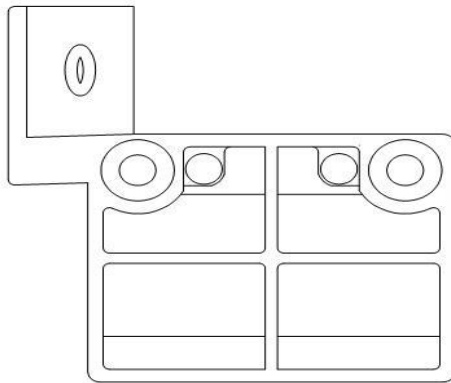
We supply EV Fixing Brackets for fixing **EVOwalk** to these roof surfaces. These brackets are TEK screwed to the I beam and then either screwed or riveted onto the roof sheet. The brackets are supplied complete with a bonded sealing strip on the underside. This feature ensures that the watertight integrity of the roof is not compromised.



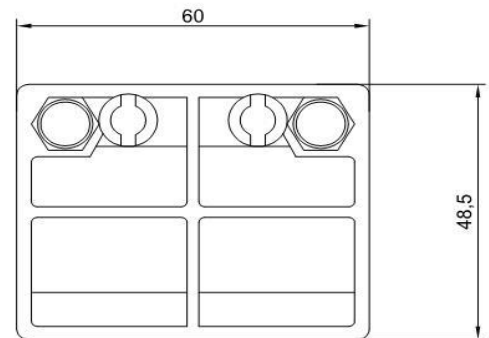
## Standing Seam Roofs

We supply Angled Standing Seam Clamps Fixing for fixing **eVO**walk to these roof surfaces.

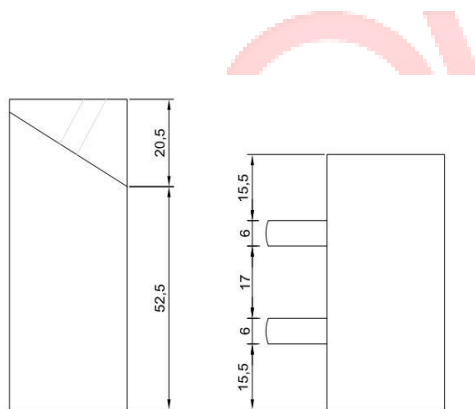
These brackets are TEK screwed into the I beam then clamped onto the roof standing seam. The clamps are quick and easy to fit and are non-penetrative to the seams, thus avoiding invalidating any roof manufacturer's guarantee.



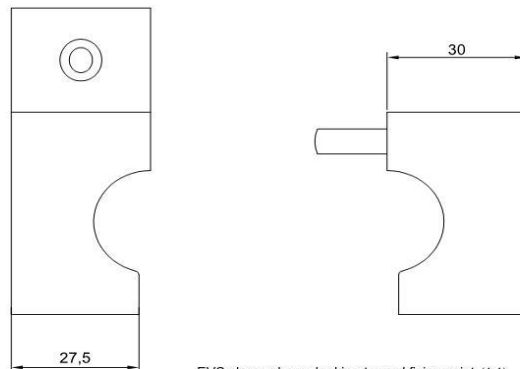
EVS clamp female section (1:1)



EVS clamp male section (1:1)



EVS clamp shown from above (1:1)



EVS clamp shown looking toward fixing point (1:1)

## Membrane Roofs

**eVO**walk can be laid directly onto membrane roofs. We supply “skis” with closed cell rubber under which are fitted under the I beams to spread the loadings and protect the roofing material.



On loose laid walkway it is possible to add additional metal bars within the planks. Up to 100kg of extra weight can be added to a standard 3m long section of 600mm wide walkway.

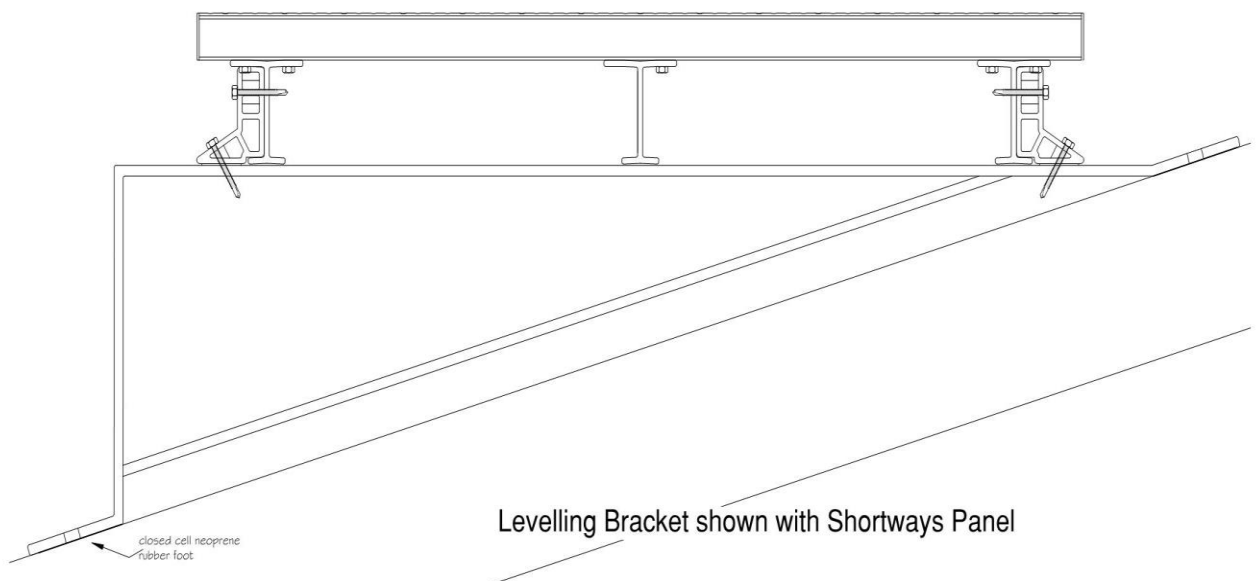
### **Valley Walkway**

**EVO**walk can be laid directly across valleys or gutters, either loose laid with rubber under the aluminium support brackets or fixed to composite or standing seam roofs.



### **Levelled Walkway**

When installing walkway across roof seams on a roof pitches above 5° we supply bespoke levelling brackets made to suit the exact roof pitch. These are fixed directly to the roof sheet or by utilising our Insert Standing Seam Clamps.



## **Fall Protection Panels (Rooflight Covers)**

**eVO**walk fall protection panels are supplied in many sizes to suit the area requiring protection. These can be loose laid or fixed to the roof sheets on either side of rooflights. They can also be supplied alongside walkway panels (as shown below)



## **Testing & Certification**

All **eVO**walk systems have been tested and approved . Full documentation is available on request.

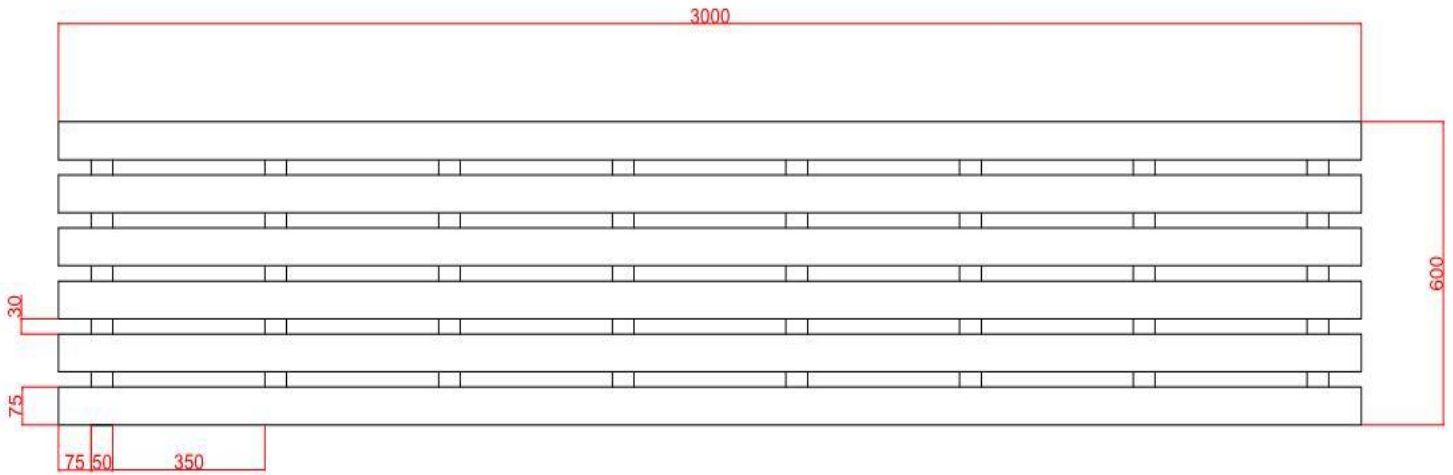
All **eVO**walk systems comply with the following requirements:

- BS 7976 for Slip Resistance
- BS 476 for Fire Resistance
- ACR(M)001:2011 - ACRM Fragility to Roof Assemblies

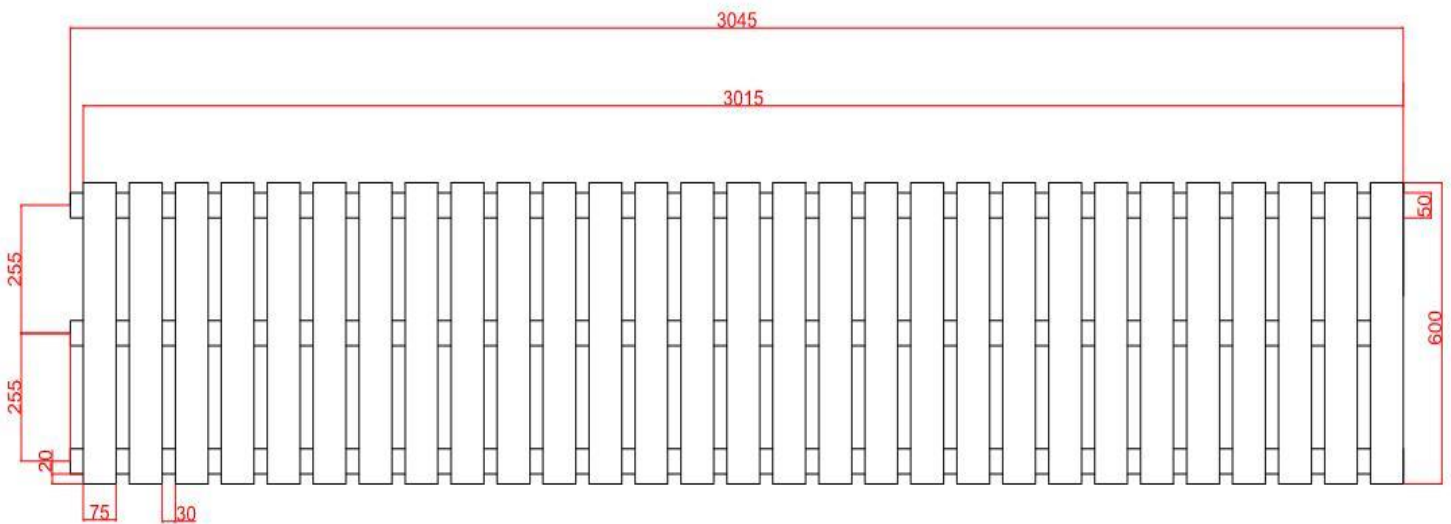


# Specification

## Longways (3m Panel) – Total Weight 14.5 kg



## Shortways (3m Panel) – Total Weight 15 kg



Tel: 01257 260441  
Fax: 01257 233866  
Email: [info@akmfabrications.co.uk](mailto:info@akmfabrications.co.uk)

AKM Fabrications  
Unit 6, Yarrow Business Centre  
Yarrow Road  
Chorley  
PR6 0LP

Visit our website at: [www.akmfabrications.co.uk](http://www.akmfabrications.co.uk)